

Keyron® smooth - 150

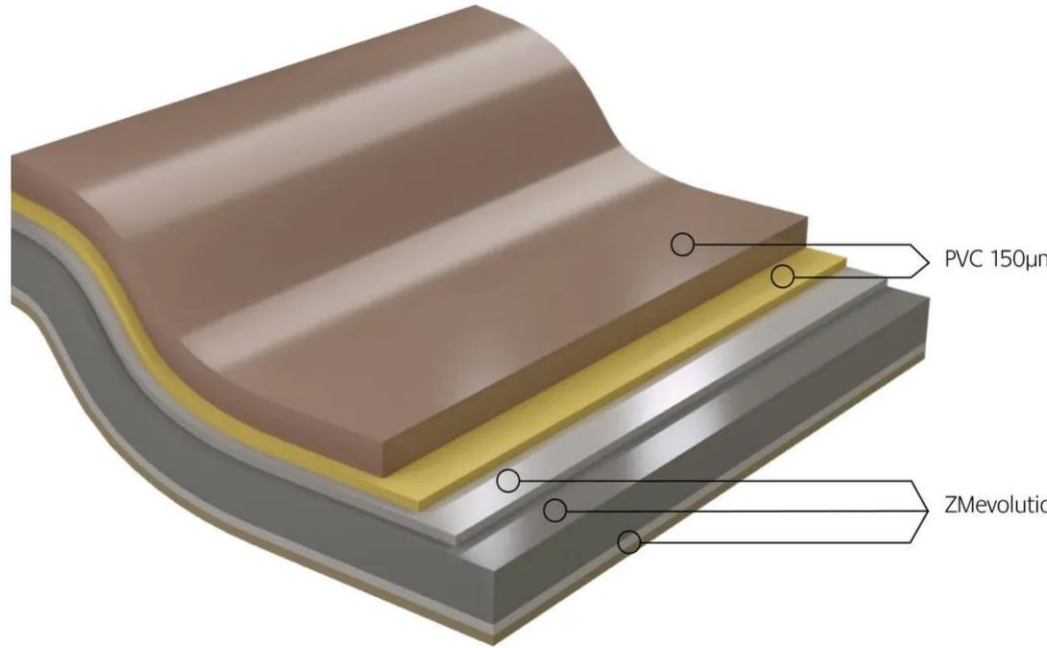
Keyron® is a pre-painted galvanized steel coated in a continuous, highly automated process with a thermoplastic paint of 150µm. Keyron® is recommended for indoor use in aggressive and corrosive atmospheres

- Keyron® has a smooth appearance
- This coating offers a very high resistance to hygrometry and chemical attacks, especially in indoor environments
- We advise you to complete our environmental questionnaire for the choice of the correct thickness, 150 or 200µm

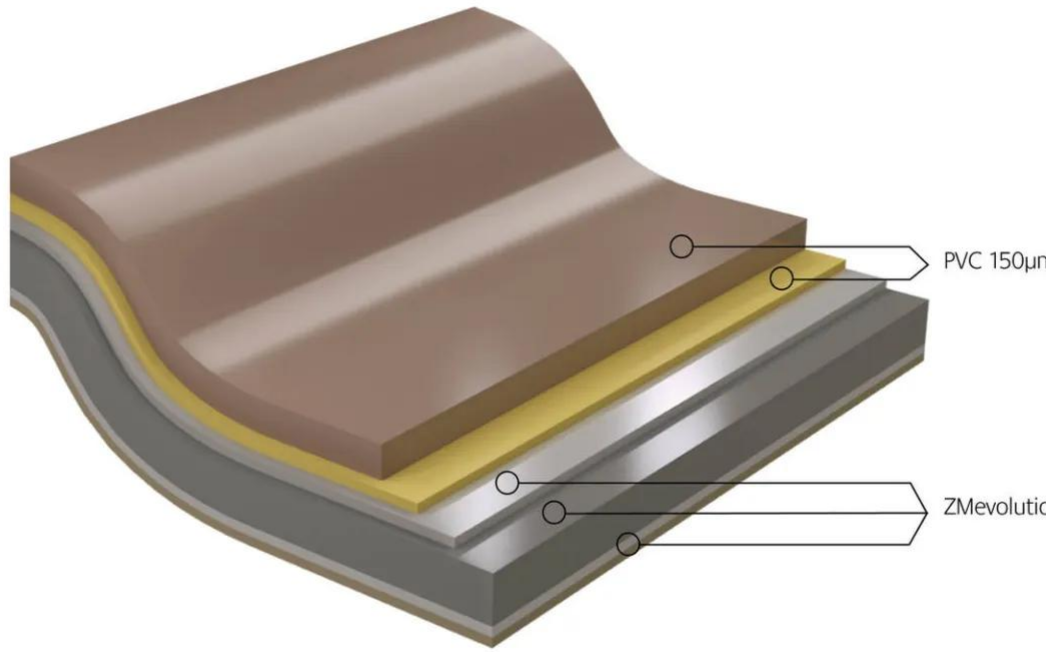
[Contact us](#)



-



-



Properties

Documents

[Request informations](#)