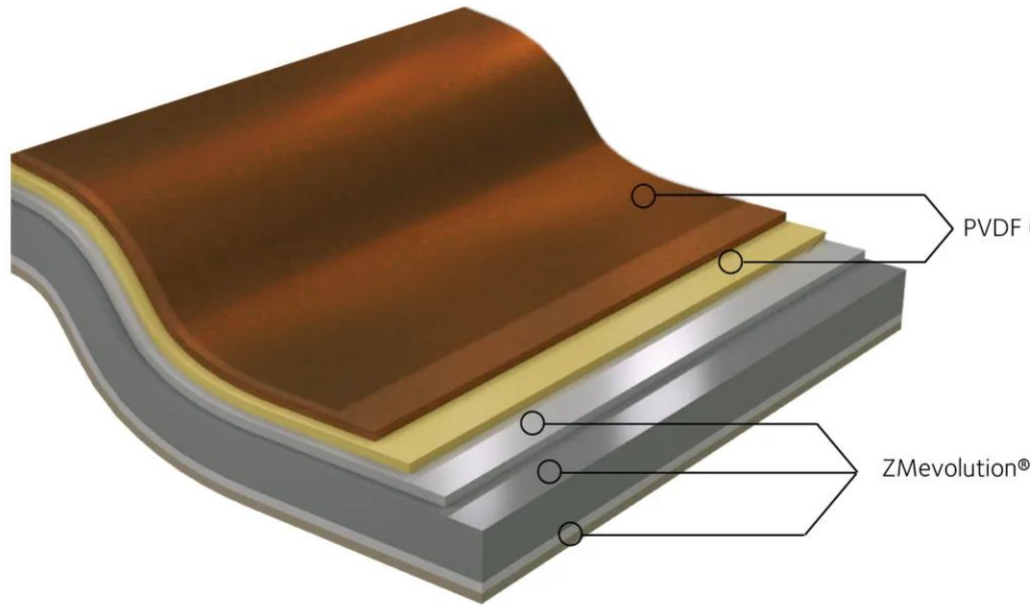


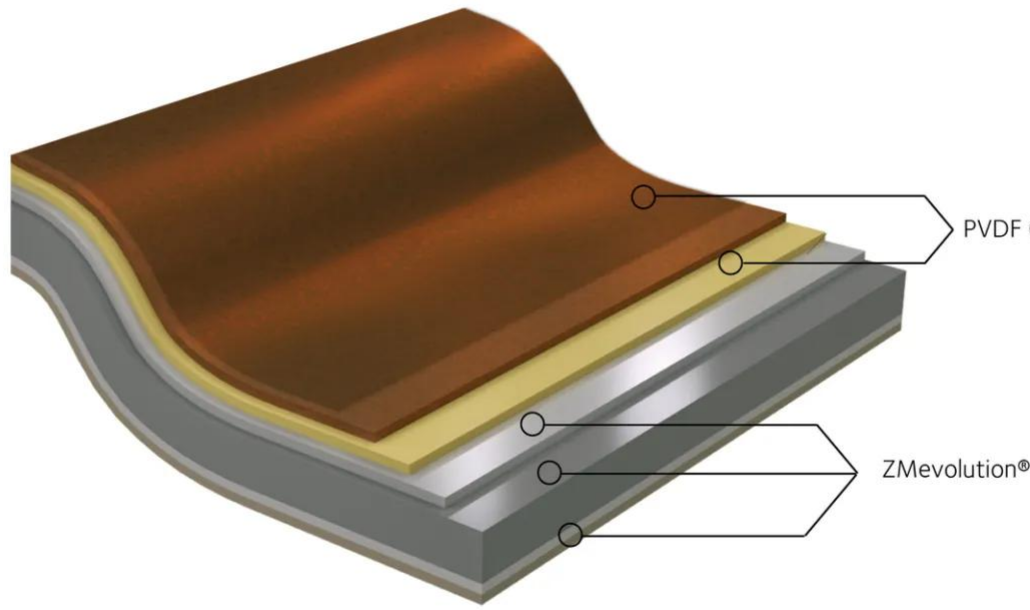
Intense - 60

Intense is a pre-painted galvanized steel of a 60µm thick PVDF fluoridated thermoplastic multilayer paint applied at high temperature. Intense offers an exceptional aesthetic. The metallic colors of the Intense family give a unique perception of light that enhances the prestige of the façade.

- Excellent resistance to ultraviolet radiation due to the atomic structure of fluoropolymers
- Recommended for prestigious buildings, Intense is a coating with exceptional durability
- It is available in several metallic colors selected for their aesthetic appeal

[Contact us](#)





Properties

Documents

[Request informations](#)